



MATERIAL

BRASS

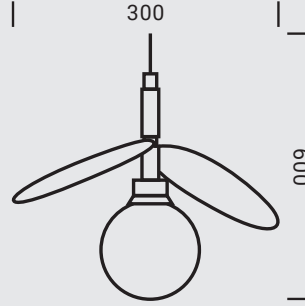
FINISH

MATTE BRASS

CERTIFICATIONS



DIMENSIONS



TECHNICAL SPECIFICATION

MATERIAL	BRASS	CRI VALUE	80
FINISHING	MATTE BRASS	LUMEN	320 LM
LIGHT SOURCE	1 X G9	INPUT VOLTAGE	220-240V 50/60 HZ
LIGHT SOURCE STRENGTH	3W	PROTECTION CLASS	30 CM
LIGHT SOURCE LIFE	25.000 HOURS	PRODUCT WIDTH	60 CM
CCT VALUE	2700K	PRODUCT WEIGHT	24 MONTHS

FOR MORE INFORMATION ABOUT THIS PRODUCT:

E-mail: proje@baharaydinlatma.com.tr | Call: +90 (312) 351 76 85 - 86

Susuz, İstanbul Yolu 26. km, 06980 Yenimahalle/Ankara, Türkiye